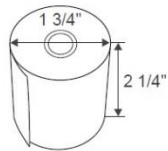
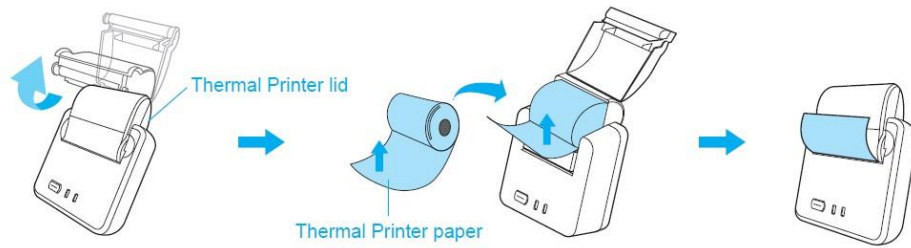


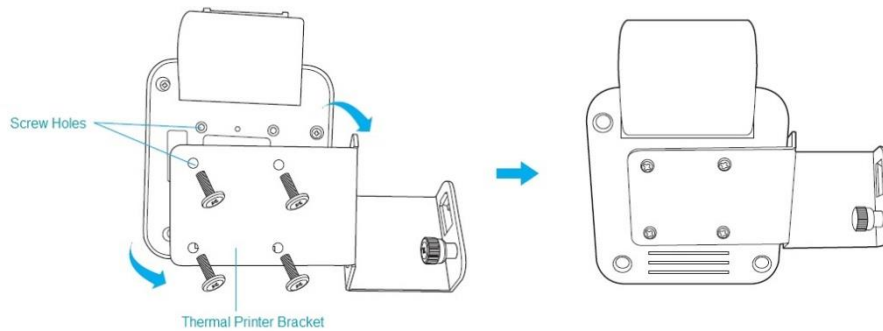
InBody

Quick Setup Guide: InBody120 Thermal Printer

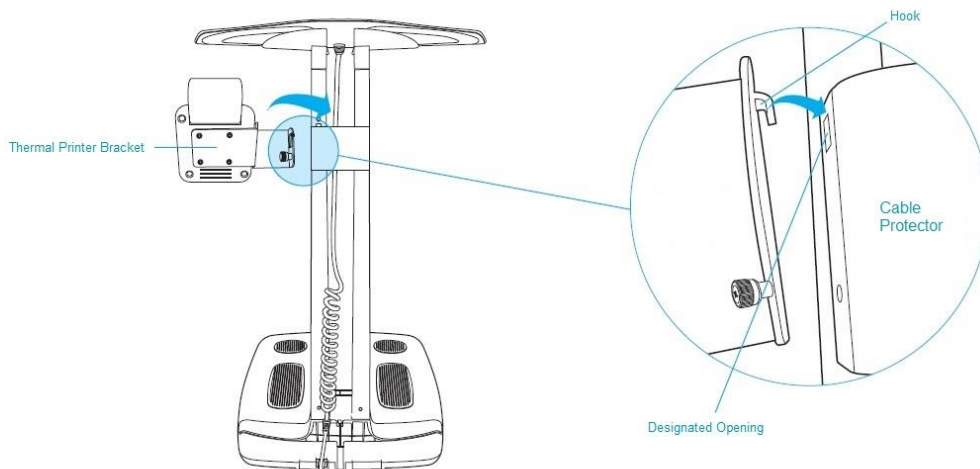
1. Open the Thermal Printer Lid. Insert the thermal printer paper roll as shown below



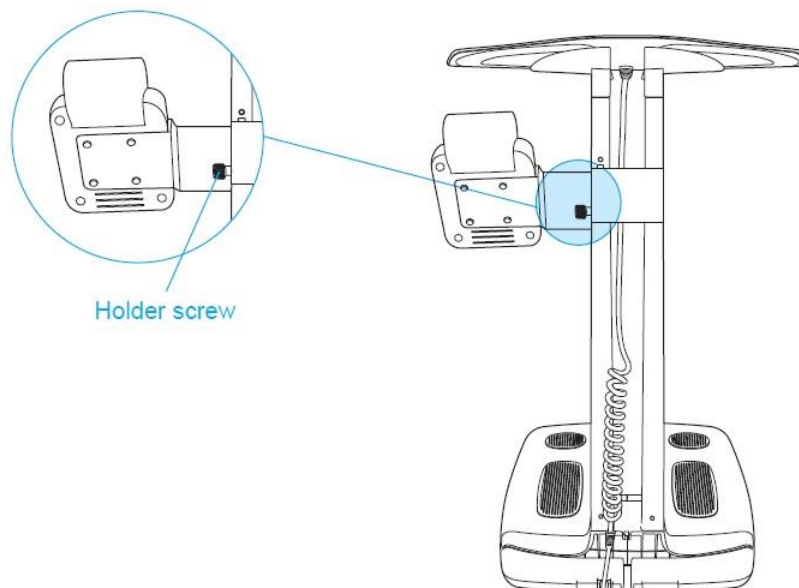
2. Align the screw holes on the back of the Thermal Printer with the Thermal Printer Bracket as shown below. Fasten the Thermal printer onto the bracket with the screws provided



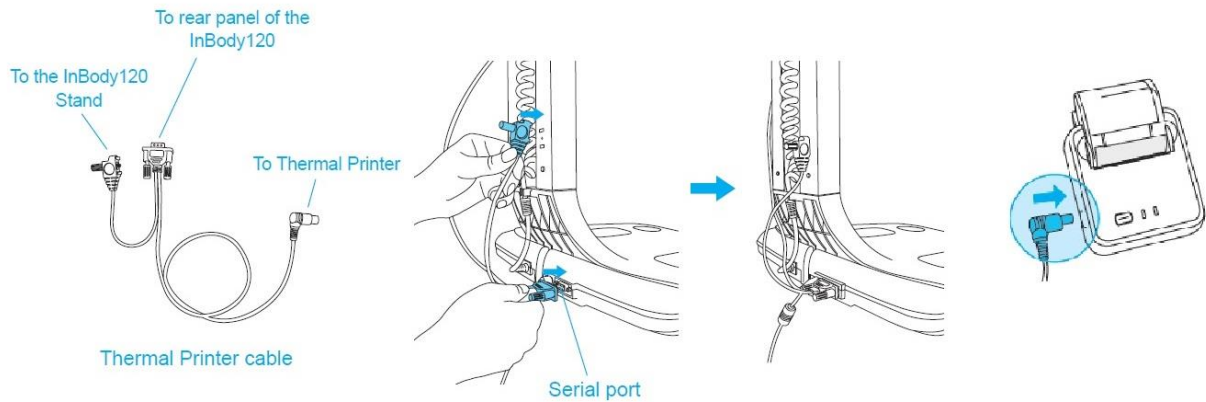
3. Once the Screws on the back of the printer have been fastened. Insert the hook of into the side of the stand as shown below



4. Fasten the screw on the side below the hook into the stand to secure the bracket



5. Once the Thermal Printer bracket has been secured to the stand, insert the cables accordingly as shown below



6. Once everything has been setup, press the Power button on the Thermal Printer to enable it

